



# 5-7t

## G SERIES INTERNAL COMBUSTION COUNTERBALANCED FORKLIFT TRUCK



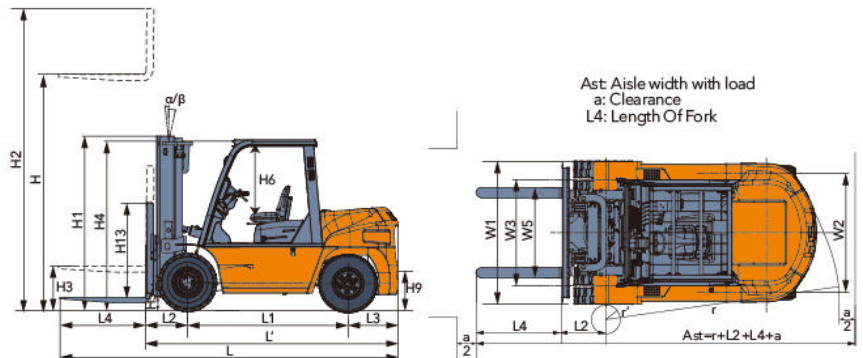
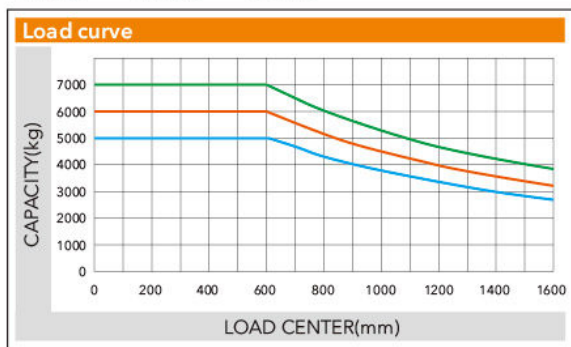
- > Fashion streamline appearance
- > Dual suspension damping structure reduces whole truck vibration and driver's fatigue;
- > Noise around ear and truck sound power level are reduced by full sealed cab and optimal design of the parts around engine.
- > With wholly hydraulic drive cooling system, aluminum radiator and special layout, the water and transmission oil temperature are reduced greatly.
- > Man-machine engineering design improves operation comfort; wide view lifting system improves vision.
- > Standard configuration of electric-hydraulic reversing system has light and easy operation; updated new intelligent gear shifting system avoiding start with second gear improves transmission box's reliability.
- > Wider internal space, more reasonable parts layout and 80°hood opening angle make maintenance easy.
- > The emission of the completed truck meets EURO III (B) and Tier IV ( I ) emission standards. DPF technology is applied in exhaust treatment.



# G SERIES INTERNAL COMBUSTION COUNTERBALANCED FORKLIFT TRUCK **5-7t**

Characteristics				
1.01	Manufacturer		<b>HELI</b>	
1.02	Model		CPCD50-P3G	CPCD60-P3G
1.03	Load Capacity	kg	5000	6000
1.04	Load Center	mm	600	
1.05	Power Type		Diesel	
1.06	Driving style		Seated	
Tire				
2.01	Front Tire		8.25-15-14PR	
Dimension Parameter				
3.01	Lifting Height(standard)	H	mm	3000
3.02	Mast Tilt(fwd/bwd)	$\alpha/\beta$	deg	6/12
3.03	Min.Turning Radius	r	mm	3240
3.04	Overall Length(with Forks)	L	mm	4710
3.05	Overall Width	W1	mm	2045
3.06	Overall Height(mast without activity)	H4	mm	2450
3.07	Wheel Base	L1	mm	2300
3.08	Tread(fwd/bwd)	W3/W2	mm	1520/1700
3.09	Overhang(fwd/bwd)	L2/L3	mm	590/600
3.10	Min.Under clearance	H5	mm	200
3.11	Lateral Fork Adjustment(Outside of Forks)	W5	mm	300-1845
3.12	Fork Length	L4	mm	1220
3.13	Fork Width/Thickness	W/T	mm	55/150
Performance Parameter				
4.01	Lifting Speed(Unloaded/Loaded)	mm/s	560/500	550/490
4.02	Lowng Speed(Loaded)	mm/s	WITHOUT LOAD $\geq$ 300 WITH FULL LOAD $\leq$ 600	
4.03	Traveling Speed(Loaded/Unloaded)	km/h	25/28	25/28
4.04	Max.Gradeability	%	34/19	31/19
Engine and Gearbox				
5.01	Engine Manufacturer/Model		Perkins 1204E-E44TA (Euro IIIB, EPA Tier 4i)	
5.02	Cyl. Number		4	
5.03	Displacement	L	4.4	
5.04	Rated Power/Rated Speed	Kw/rpm	82/2200	
5.05	Max. Torque/Rated Speed	Nm/rpm	450/1400	
5.06	Gearbox		Intelligent gear shifting	

CPD50    CPD60    CPD70



## ANHUI HELI CO., LTD.

ADD: NO.668 Fangxing Street,Economical Development Zone,Hefei,P.R.China  
 TEL : (86 551) 63639068,63639258,63639358,63662105  
 FAX : (86 551) 63639966  
 WEBSITE : <http://www.helichina.net>  
 Email : heli@helichina.net

\* Details of specifications and equipment are based on information available at time of printing and may change without notice.

AUTHORIZED DEALER